

## MCDC4

### Muxponder 4x100G to 400G uplink

#### Main Features

- Layer 1 Muxponder
- Low latency Design
- Line side bit rate: 400G OTUC4
- Support forward, loopback
- Pay-as-you-grow architecture based on pluggable module
- Comprehensive line and service performance monitoring
- Easy maintenance with field-replaceable parts
- Support CLI, Telnet, SNMP GUI NMS Danriver iCEO B/S

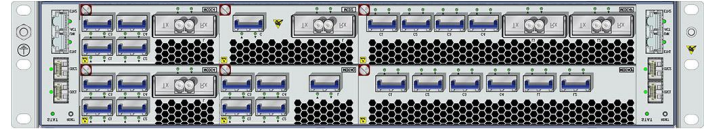


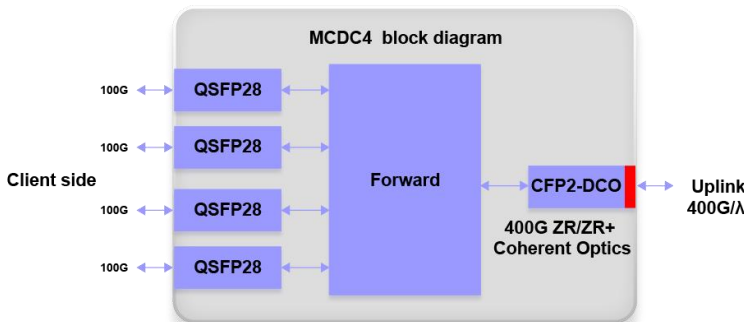
Figure 1: MCDC4 Board Card

#### Benefits

- Save cost, very Low cost Per Gbit
- Managed service platform OTX1600
- Modular and cost-effective for future growth and maintenance access

#### Description

In 100G configurations where low cost multiplexing and bandwidth utilization are important factors, MCDC4 open muxponder is the ideal solution. Equipped with 400G CFP2-DCO, the MCDC4 is the ideal product for multiplexing 100G services in a cost-efficient way at the subscriber premises. The MCDC4 has support for 4 x 100G with QSFP28 on the client side and 1 x 400G with CFP2-DCO on the line side. MCDC4 diagram below:



#### Applications

- DWDM DCI Networking

## Technical Specifications

Client Interface	MCDC4	MCCC2
Density	4	2
Client Formats	100GbE, OTU4	
Optical interface	Hot pluggable QSFP28	
Wavelength	850nm/1310nm/CWDM4	
Optical Reach	100G QSFP28 SR4/LR4/CWDM4/ER4 Lite/ER4	
Line Interface (Uplink)		
Density	1	
Line side Capacity	400G OTUC4 hardware ready	200G OTUC2
Optical interface	Hot pluggable CFP2-DCO	
Wavelength	C-Band DWDM, 96 channels grid-less Tunable	
Modulation	16 QAM	
Optical Reach	400km	
FEC	SD-FEC	
Configuration		
Operation mode	Forward, loopback	
Test	PRBS	
Run Mode	Transmitter on, off, Automatic laser shut-down (ALS)	
Performance Monitoring		
Visual Indicators	LED status indicators for: client and line ports, STAT of line card	
Optical Monitoring	Optical PM for all all optical ports, Layer-1 PM, OTN PM, Chromatic dispersion, SNR, link status, etc	
OAM	Event logs Alarms	
Physical feature		
Package options	Plug-in board	
Platform	OTX1600	
Slot assignment	Any slot except for Slot 9,10	
Environment		
Operating Temperature	-5°C to 50°C	
Storage	-20°C to 85°C	
Humidity	5% ~ 85% RH non-condensing	
Power Supply		
Power Input	DC -48V input from backplane	
Power Consumption	< 100	
Compliance		
Standards	RoHS 5/6	